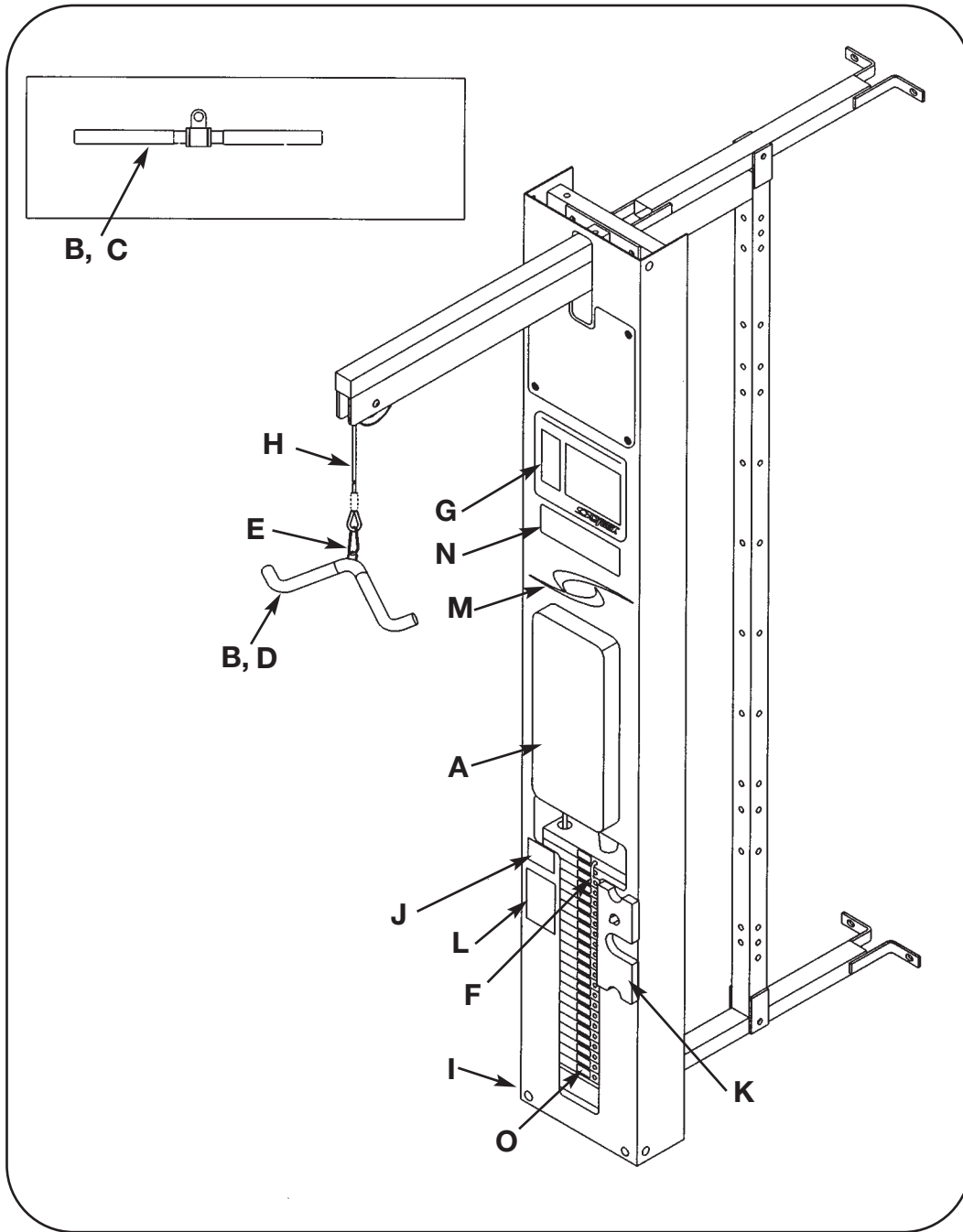


MODULAR TRICEP PRESSDOWN

5603

ASSEMBLY & PARTS



DESCRIPTION	PART NO.	DESCRIPTION	PART NO.
A. Back Cushion	4106S055-0	I. Serial Number Decal	
B. Foam Grip.....	4055M028	J. Caution Decal	4000Y316
C. Straight Handle.....	02203	K. Half Weight	4301C096
D. Cambered Handle	51013	L. Warning Decal.....	02521
E. Snap Link.....	GQ000206	M. Vortex Decal.....	3900-426
F. Weight Selector Pin	5310P044	N. General Warning Decal.....	4800-381
G. Placard Decal.....	01114	O. Weight Plate Decal	4800-515
H. Cable Subassembly.....	01113		

Upholstery Hardware Pack....5460S014

5603 - Tricep Pressdown

ITEM	QTY	PART NO.	DESCRIPTION
1	1	01109	Pulley Mount
2	2	GP000000	Pulley Assembly
3	4	GP000004	Pulley Spacer
4	2	GP000203	Pulley Center
5	1	HN784000	Hex Nut .500-13
6	4	HC700414	BHSC .375-16 x .625
7	1	JC782838	SHCS .50-13 x 3.50
8	3	JS388300	Split Lockwasher .50
9	1	PP090200	Plastic Insert
10	1	01055	Scuff Plate
11	4	01066	Plastic Fastener
12	2	01755	Guide Rod Collet
13	2	5310M035	Weight Stack Guide Rod
14	2	BS110200	Spring .70 ID x 1.22 OD X 2.07 L
15	2	JC782830	SHCS .50-13 x 2.50
16	6	PN660201	Hole Plug
17	2	PP080204	Plastic Cap .625 ID x .68 OD
••18	2	4700-019	Flange Bearing
19	1	4700-016	Top Weight Assembly
20	2	BR030206	Retaining Ring
21	1	HP286819	Spiral Pin
22	1	4700M005	Rubber Cap
23	14	4700C089	Stack Weight 3 x 12
24	2	HS347600	Washer .375
25	2	JC700420	BHSCS .375-16 x 1.25
• 26	1	02192	Stabilizer
• 27	2	HN784000	Hex Nut .50-13
• 28	2	JC780420	BHSCS .50-13 x 1.25
• 29	4	JS388300	Split Lockwasher .50
• 30	2	PP660006	Hole Plug
31	1	02106	Half Weight Peg
32	1	HS308300	Split Lockwasher .25
33	1	JC620415	BHSCS .25-20 x .75
34			Removed
35	2	JC782815	SHCS .50-13 X .75
• 36	1	02231	Bar Support

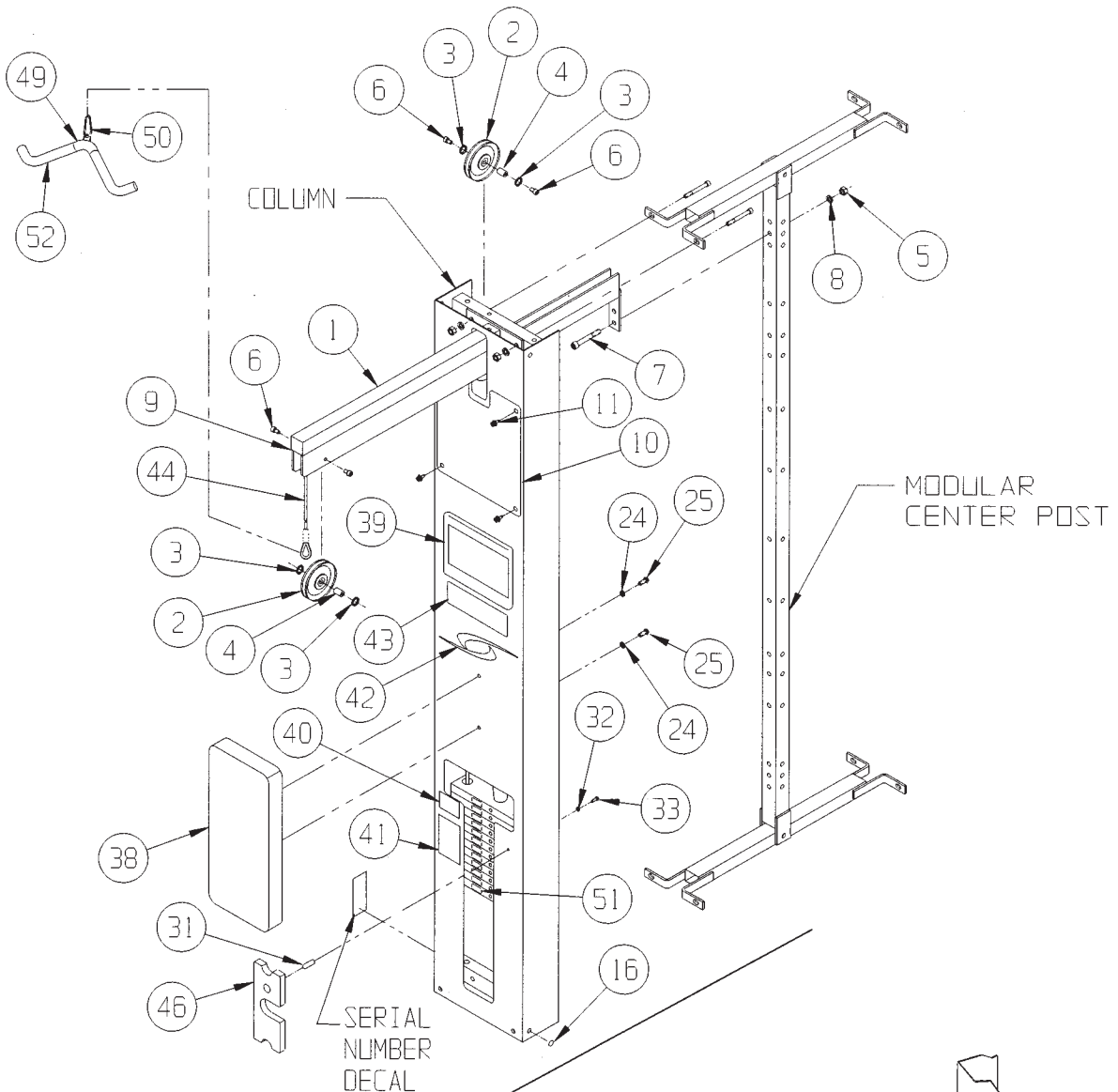
ITEM	QTY	PART NO.	DESCRIPTION
• 37	2	PP080202	Hole Plug
38	1	4106S055-0	Back Cushion
39	1	01114	Placard Decal
40	1	4000Y316	Caution Decal
41	1	02521	Warning Decal
42	1	3900-426	Vortex Decal
43	1	4800-381	General Warning Decal
44	1	01113	Cable Subassembly
45	1	5310P044	Weight Selector Pin
46	1	4301C096	Half Weight
47	1	02224	Modular Screen (not shown)
48	1	02203	Straight Handle (not shown)
49	1	51013	Cambered Handle
50	2	GQ000206	Snap Link
51	1	4800-515	Weight Plate Decal
52	4	4055M028	Foam Grip

- See Assembly Note #3.
- FOR UNITS MANUFACTURED PRIOR TO JUNE 1993, CALL 1-888-462-9239.

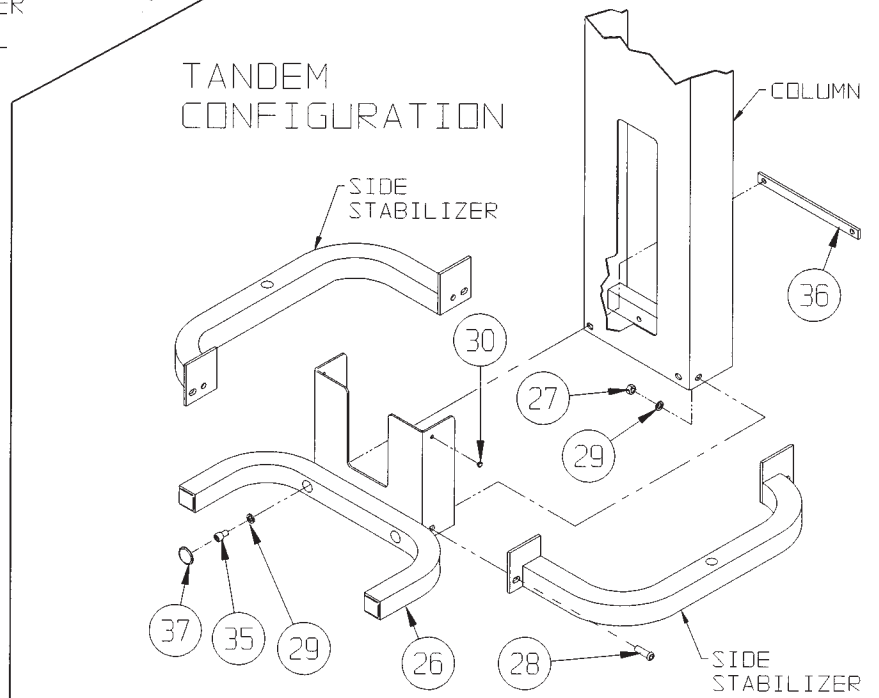
Assembly Notes

1. Keep all shipping packages near area of installation. Standard items include:
 - Tricep Pressdown Assembly - 5603-98
 - Tricep Pressdown Package - 5603-50
 - Tricep Pressdown Cushion Box Assembly - 5603-00
 - Top Weight Package - 4700-016 (black)
 - Weight Pack 1 - 4700S110 (black)
2. Follow the assembly guidelines listed on either the 5600 Modular Center Post Assembly & Parts instruction sheet or the 5629 Tandem Center Post Assembly & Parts instruction sheet.
3. Items 26 - 30 are required when using the Tricep Pressdown station in a tandem configuration. Follow assembly guidelines listed on the 5629 Tandem Center Post Assembly & Parts instruction sheet.

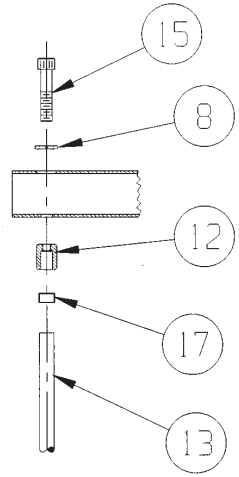
NOTE: This machine shipped with an Owner's Manual. Additional copies can be obtained by contacting your dealer or a Cybex Representative at 1-888-462-9239.



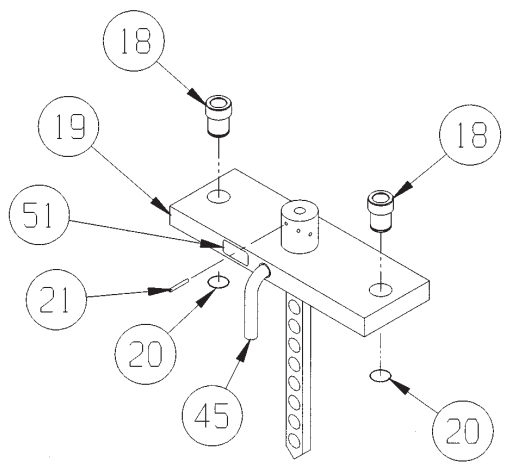
MODULAR CONFIGURATION



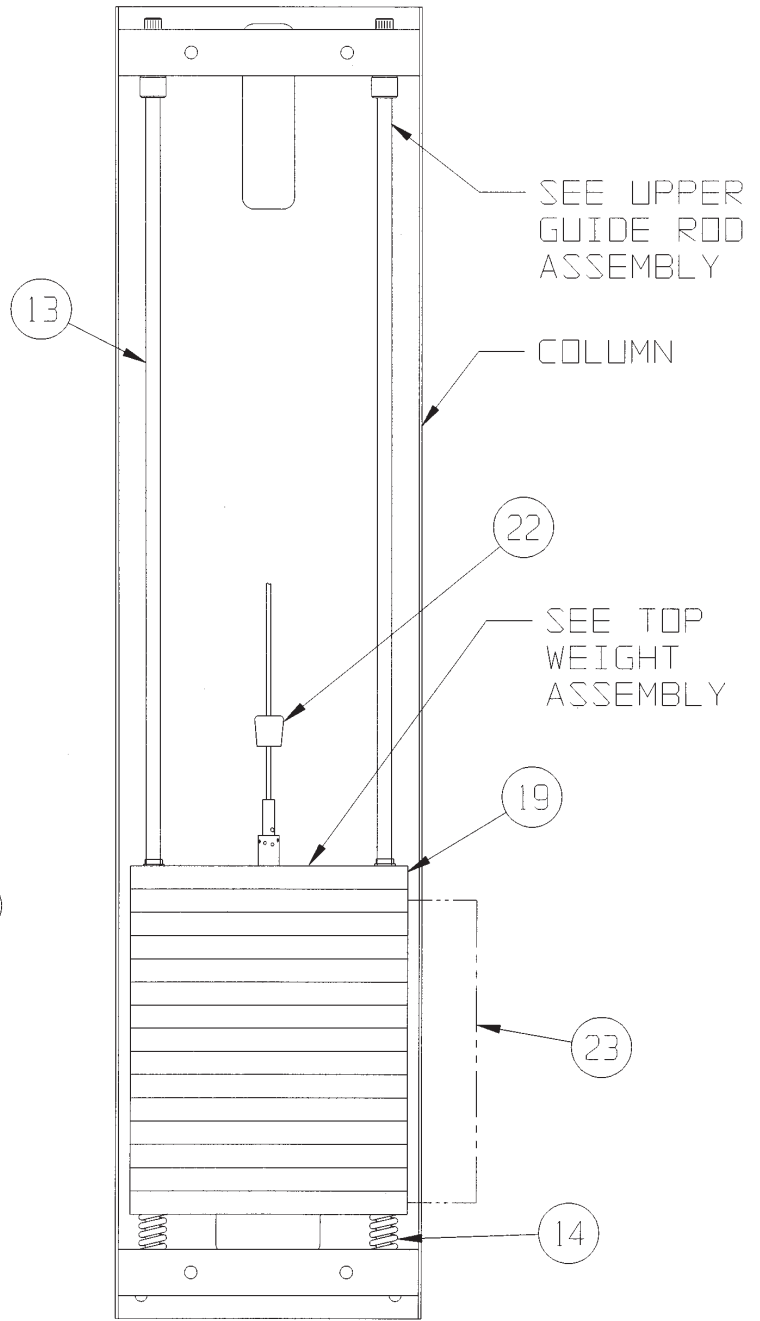
TANDEM CONFIGURATION



UPPER GUIDE ROD ASSEMBLY



TOP WEIGHT ASSEMBLY



REAR VIEW

